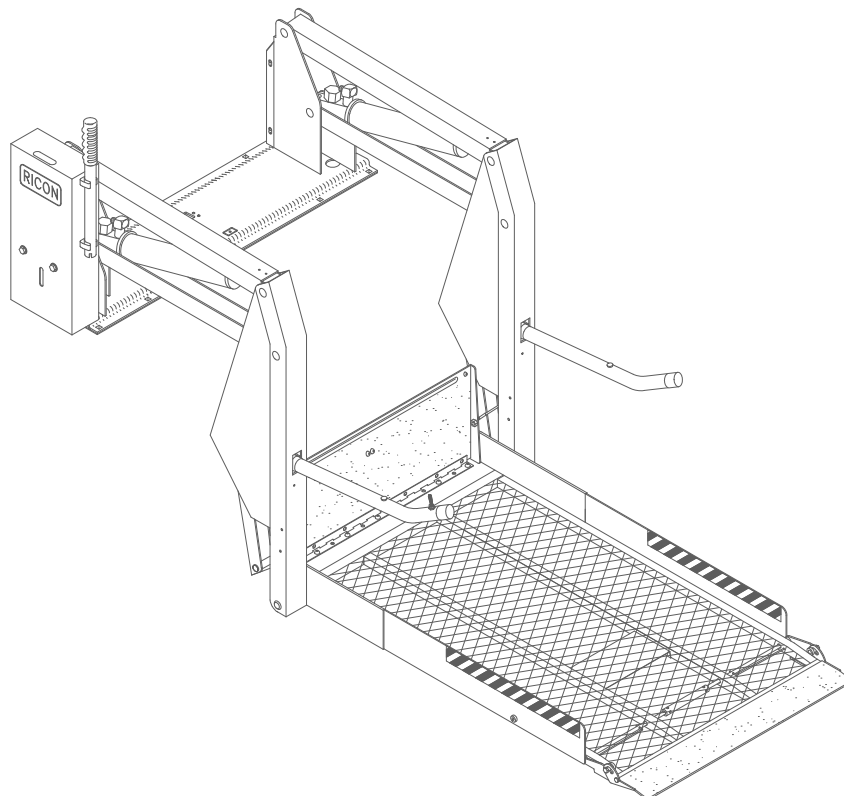




Ricon®

A Wabtec company

S-Series®
DOT - Private Use Lift



-PRINT-

SERVICE MANUAL

11/01/11

32DSSP04.B

U.S. Patent Nos: 4,534,450; 5,308,215; 5,445,488; 5,605,431; 5,944,473;
Australia Patent Nos: 661127; 687066;
Canadian Patent Nos: 1,245,603; 2,168,761
Other U.S. and foreign patents pending

©2011 RICON CORPORATION
All Rights Reserved

Printed in the
United States of America

-HOME-